



Conradson Carbon
Residue Apparatus

Conradson Carbon Residue Apparatus— H-2495

The H-2495, Conradson Carbon Residue Apparatus is used to test petroleum products to determine the amount of carbon residue left after evaporation and pyrolysis of an oil and to indicate relative coke-forming propensities.

The H-2495 Includes the following:

- H-5550 Meeker-style Burner
- H-24160X Tripod,
- H-2505 Refractory Block Insulator Ring
- H-24020 Nickel-Chrome Wire Triangle
- H-2496 Carbon Residue Apparatus Hood
- H-2498 Nickel Crucible and Cover,
- H-2497 Skidmore Crucible and Cover
- H-2494 Porcelain Crucible

Component parts are available separately.

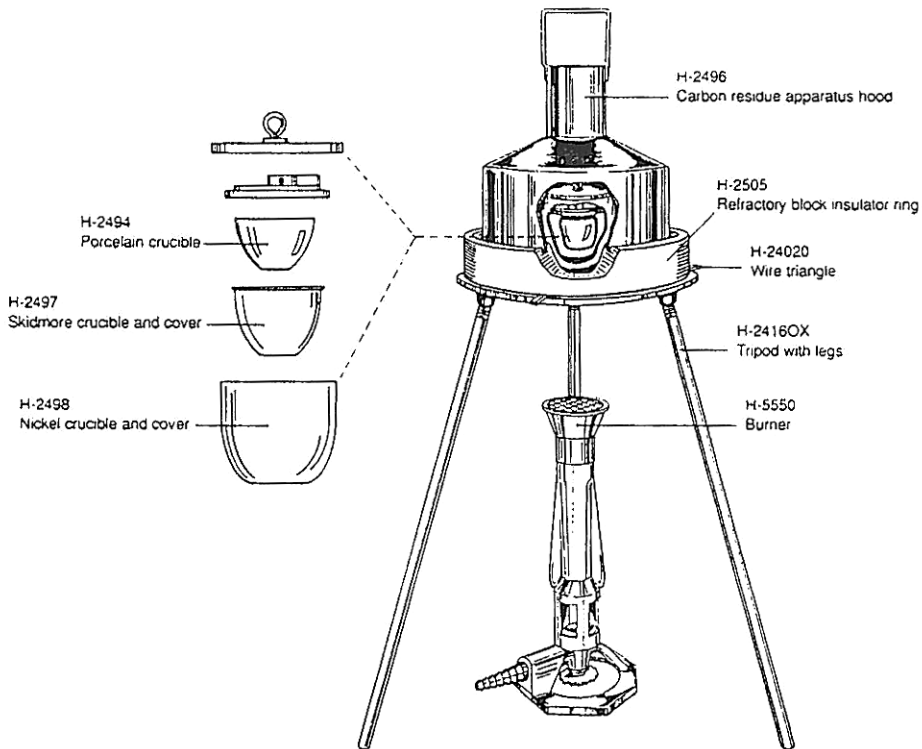
Meets ASTM D189, D2416. Shipping wt. 7 lbs. (3.2kg)

ASTM Standard

The H-2495 Conradson Carbon Residue Apparatus is used to perform ASTM Standard Tests: D189 and D2416. ASTM Standards are the property of ASTM International and can not be duplicated for distribution within this manual. The easiest way to obtain a copy of the above Standards is to visit the ASTM website, www.astm.org, and select the "Search" function. This function facilitates searches by keyword or standard numbers; you can see the titles and scopes of all ASTM standards and the documents referenced in each standard. You can also purchase any standard as a PDF download immediately or place an order through Customer Service at ASTM International (+1 610/832-9585).

Replacement Parts, Model H-2495

Description	Model
Porcelain crucible	H-2494
Skidmore crucible and cover	H-2497
Carbon residue apparatus hood	H-2496
Nickle crucible with cover	H-2498
Refractory block insulator ring	H-2505



H-2495, Conradson Carbon Residue Apparatus

Warranty

Humboldt Mfg. Co. warrants its products to be free from defects in material or workmanship. The exclusive remedy for this warranty is Humboldt Mfg. Co., factory replacement of any part or parts of such product, for the warranty of this product please refer to Humboldt Mfg. Co. catalog on Terms and Conditions of Sale. The purchaser is responsible for the transportation charges. Humboldt Mfg. Co. shall not be responsible under this warranty if the goods have been improperly maintained, installed, operated or the goods have been altered or modified so as to adversely affect the operation, use performance or durability or so as to change their intended use. The Humboldt Mfg. Co. liability under the warranty contained in this clause is limited to the repair or replacement of defective goods and making good, defective workmanship.

Humboldt Mfg. Co.

875 Tollgate Road
Elgin, Illinois 60123 U.S.A.

U.S.A. Toll Free: 1.800.544.7220

Voice: 1.708.468.6300

Fax: 1.708.456.0137

Email: hmc@humboldtmfg.com

Testing Equipment for



Construction Materials

HUMBOLDT

www.humboldtmfg.com